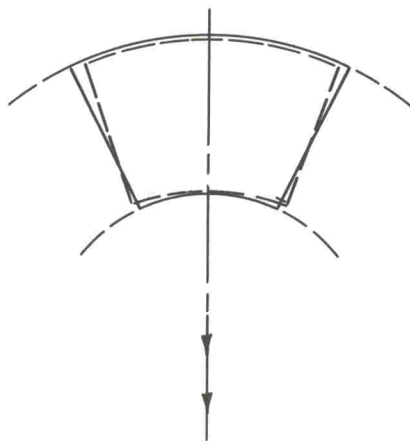


a. Segment Radii Initially Same As Radii of Mating Cylinders.



A-53120

b. Segment Radii Initially Larger Than Radii of Mating Cylinders.

FIGURE 30. BENDING DEFORMATION OF RING SEGMENTS

FIGURE 32. LOADING OF PIN SEGMENT

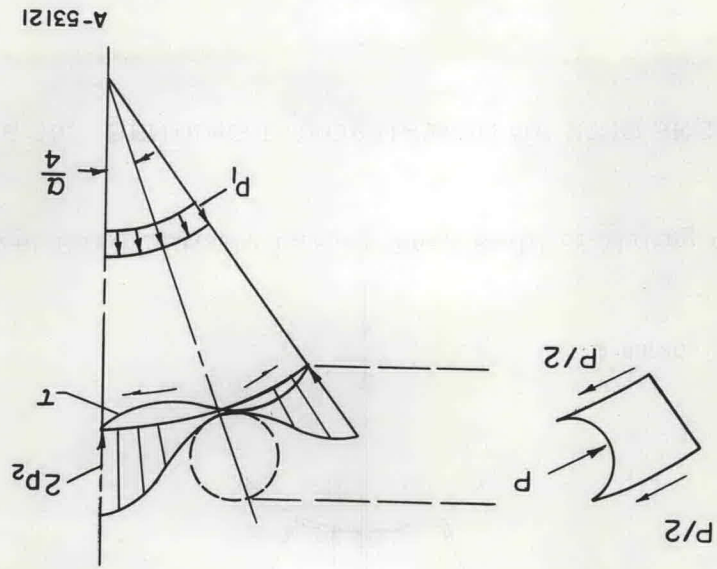


FIGURE 31. GEOMETRY OF PIN SEGMENT

